

# MELGRAND.



## MELGRAND GFRC (Glass Reinforced Concrete) Column Installation Guide

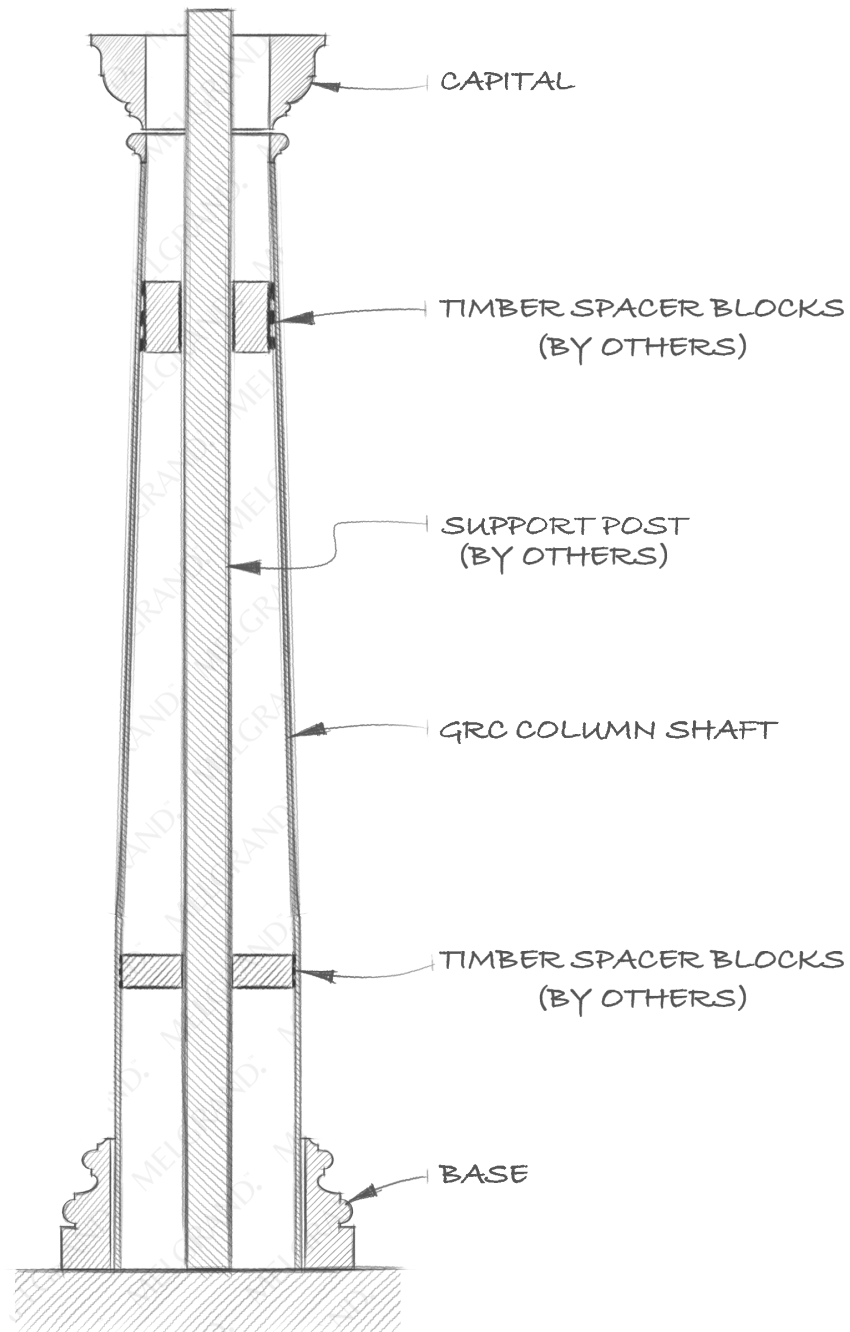


V1.2023

# GRC COLUMN INSTALLATION GUIDE

## MELGRAND GFRC COLUMN GENERAL ARRANGEMENT

(GLASS REINFORCED CONCRETE)



GRC COLUMN FIXING DETAIL

**Note:**

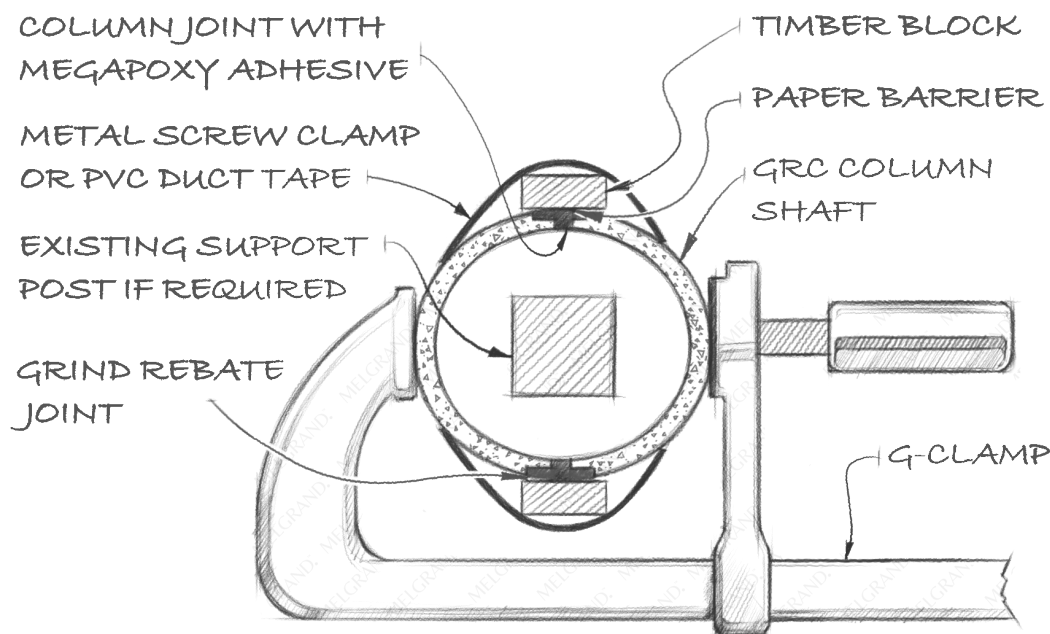
MELGRAND GFRC column shafts are non structural and are not designed to be filled with concrete.

# GRC COLUMN INSTALLATION GUIDE

## MELGRAND GFRC COLUMN SHAFT JOINING INSTRUCTIONS

### Joining instruction:

1. Grind rebate joint into external abutting edges with masonry grinder.
2. Butter megapoxy to both abutting joint edges of GRC column.
3. Squeeze column shaft halves together.
4. Close column shaft halves together with G clamp ensuring not to over tighten.
5. Wipe off excess megapoxy on outside face of column with broad knife and smooth off with warm water.
6. Put timber block against abutting joint so as to align edges and secure in place by tightly wrapping P.V.C. duct tape around timber block and column, ensuring both edges of column are aligned (place paper barrier between timber block and megapoxy joint to prevent the timber from adhering to the megapoxy).
7. Profiling: fill over column joint with exterior powder filler using a trowel or rubber screed and when dry sand with 120 grit sandpaper (refer to detail drawing on page 4).

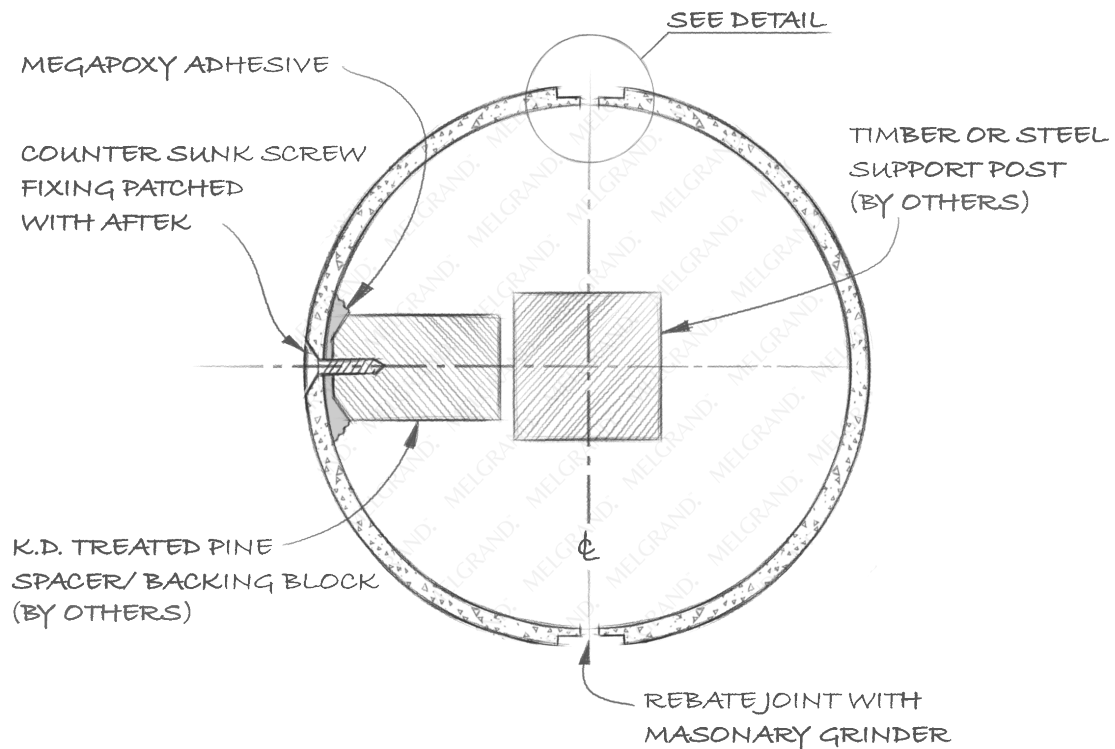


### Note:

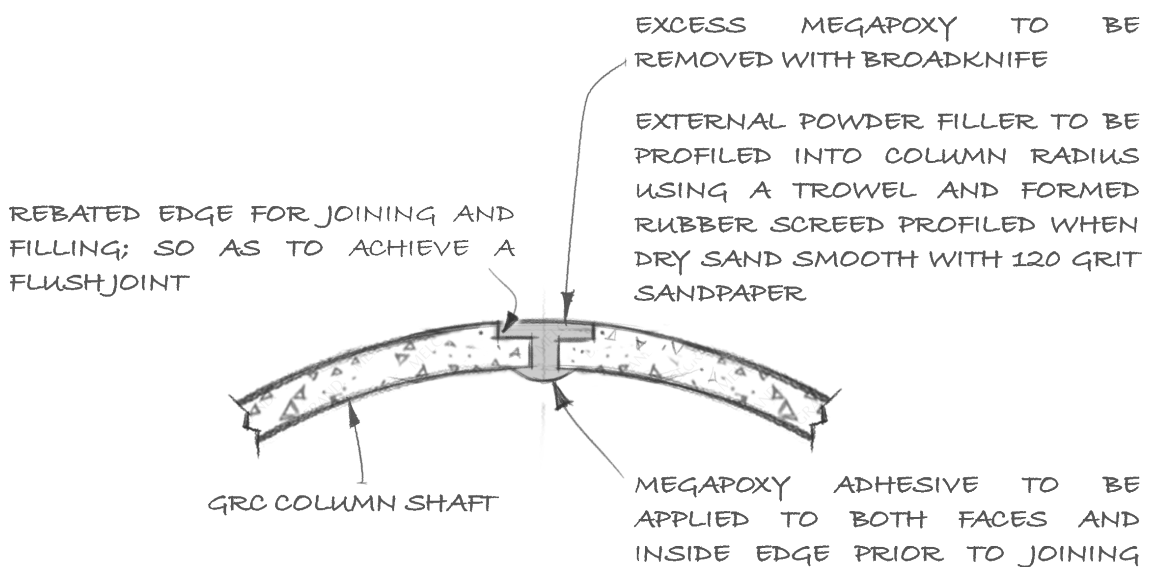
Upon completion of column joints the total column surface is to be painted with a masonry sealer prior to a flat finish paint coat application. ( This eliminates any porosity difference between the joint patching compound and the GRC column surface. )

# GRC COLUMN INSTALLATION GUIDE

## MELGRAND GFRC COLUMN SHAFT JOINING DETAIL



NOTE: SECURE BOTH COLUMN SHAFTS HALVES WITH DUCT TAPE

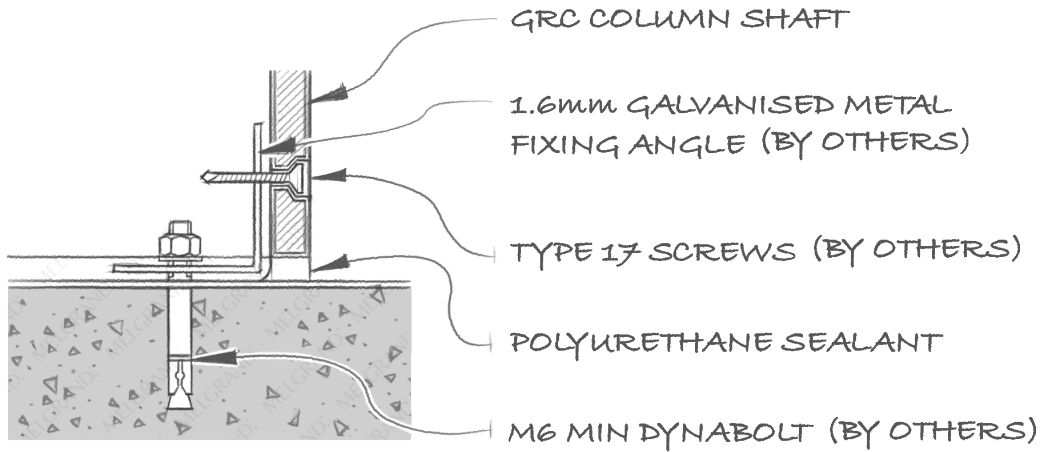


G.R.C. COLUMN JOINT DETAIL

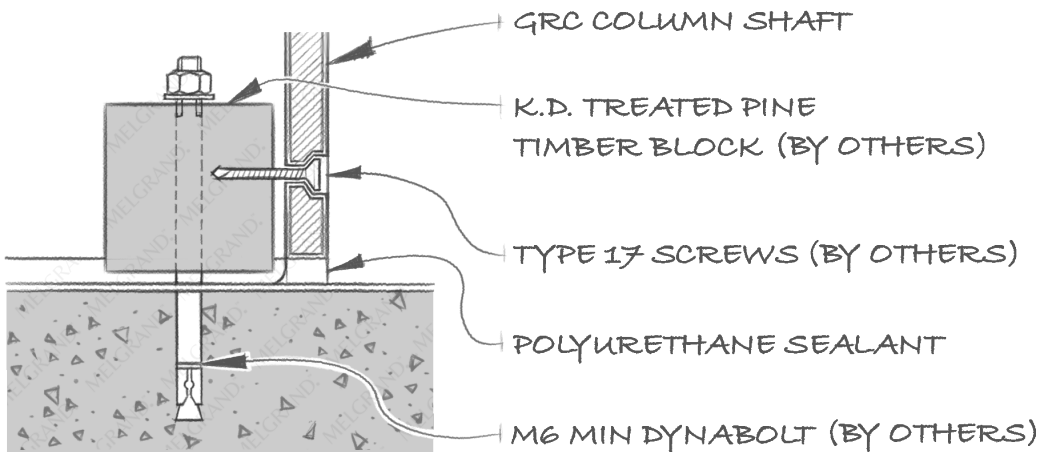


# GRC COLUMN INSTALLATION GUIDE

## GRC COLUMN SHAFT BOTTOM FIXING DETAIL



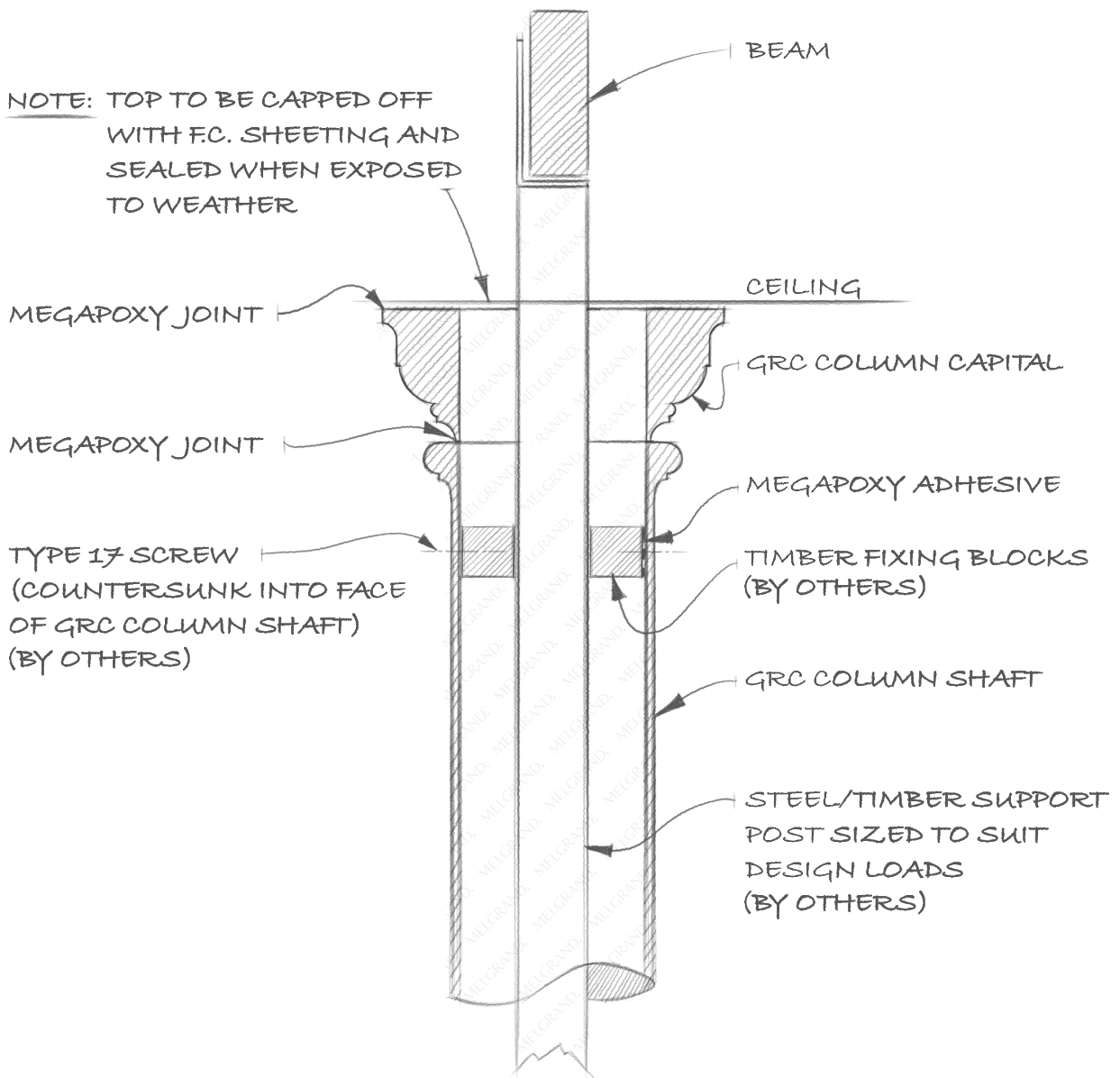
### Option 1.



### Option 2.

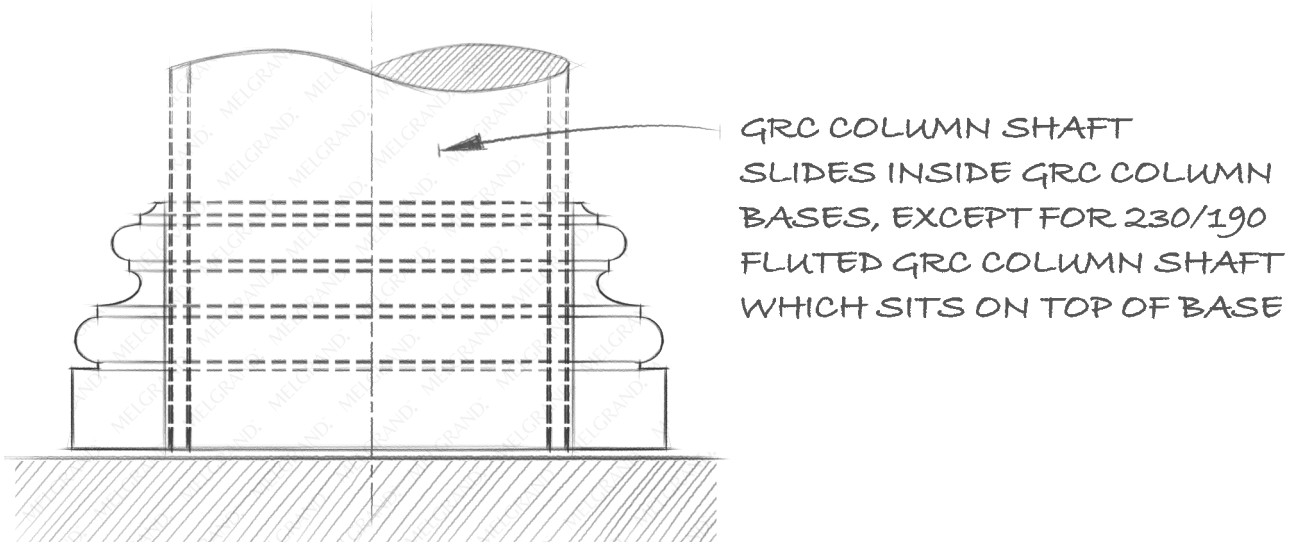
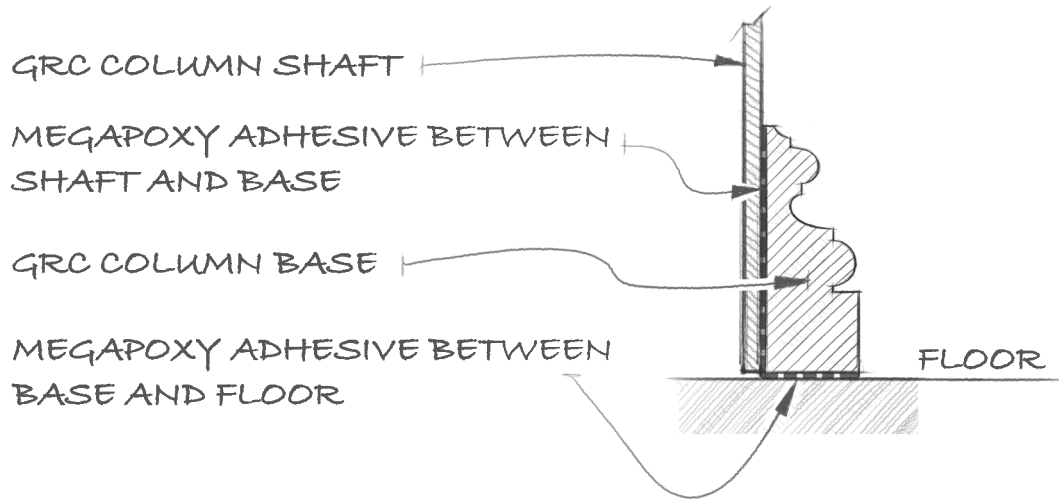
# GRC COLUMN INSTALLATION GUIDE

## GRC COLUMN SHAFT TOP FIXING DETAIL



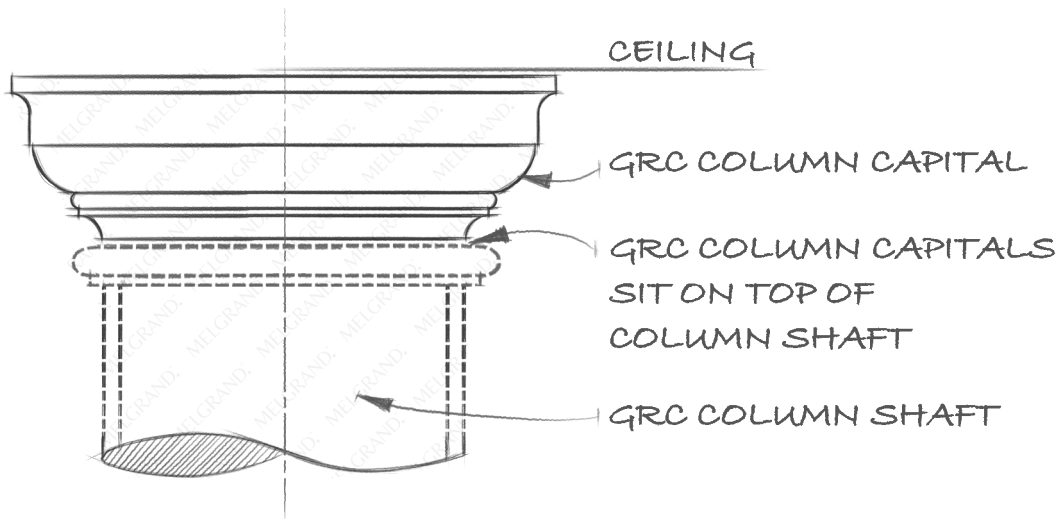
# GRC COLUMN INSTALLATION GUIDE

## GRC COLUMN BASE FIXING DETAIL

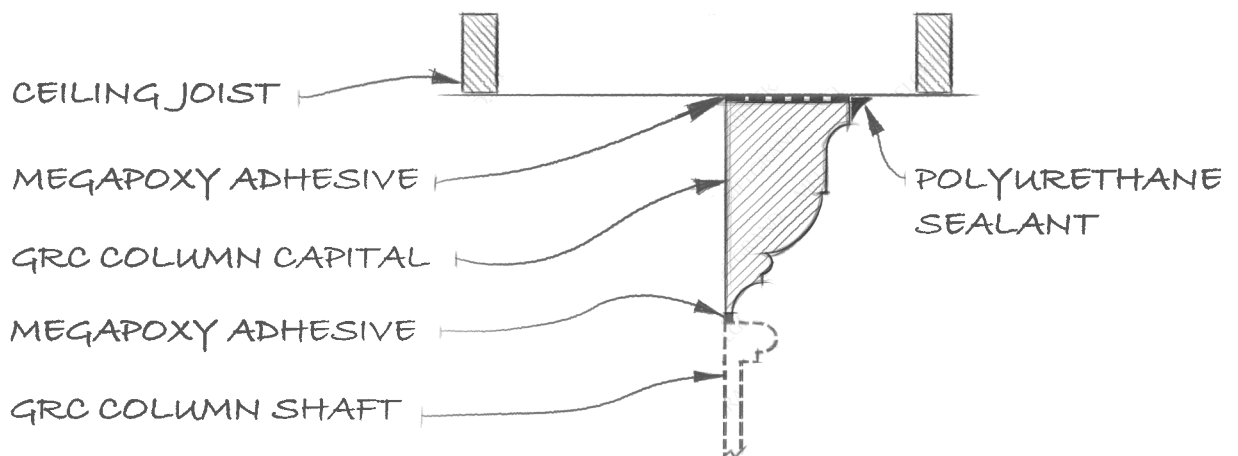


# GRC COLUMN INSTALLATION GUIDE

## GRC COLUMN CAPITAL FIXING DETAIL



NOTE: GRC COLUMN CAPITALS TO BE ADHERED TO COLUMN SHAFT AND CEILING WITH MEGAPOXY ADHESIVE





# GRC COLUMN INSTALLATION GUIDE

## WARRANTY

MELGRAND does warrant G.R.C. Columns are free from defects caused by faulty manufacture or materials. If any of the MELGRAND columns are so defective, MELGRAND will as an option either replace them or reimburse the purchaser for the purchase price.

The fixing methods recommended in this literature are formulated along the lines of good building practice and are intended to assist experienced tradesman in construction procedures. However, this literature is not intended to be an exhaustive statement of all relevant data as the successful installation of the MELGRAND system depends on numerous factors outside the control of MELGRAND eg. quality of workmanship, particular design requirement etc. The company accepts no responsibility for or in connection with the quality of moulding installation or their suitability for any purpose when installed. This warranty excludes all other warranties and liability for damage or loss in connection with defects in MELGRAND products, other than those compulsorily imposed by legislation, notable the Trade Practices Act.



# MELGRAND.

FINE ARCHITECTURAL PRODUCTS

[melgrand.com.au](http://melgrand.com.au)



**ADDRESS**

VIC 6-8 Anderson Road, Thornbury 3071  
NSW 6/376 Newbridge Rd, Moorebank 2170

**CONTACT**

1300 663 118  
Fax 1300 676 233  
[sales@melgrand.com.au](mailto:sales@melgrand.com.au)