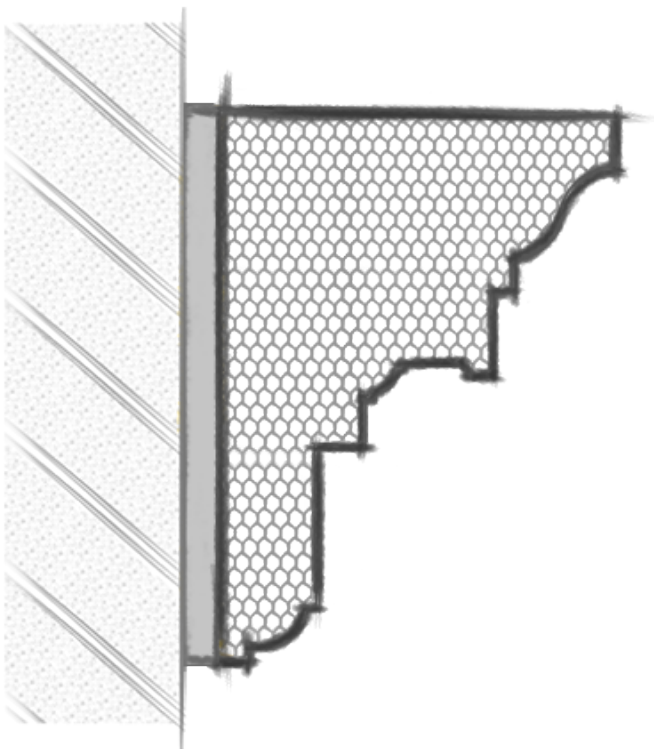


# MELGRAND.



## MouldeX® Moulds Installation Guide



V1.2020

# MOULDEX® MOULDS INSTALLATION GUIDE

## INSTALLATION GUIDE – Glue Fixed

This DIY guide, for installing Mouldex® mouldings is designed to offer enough information for the home handy person. Builders and tradesmen who are using Mouldex® mouldings for the first time will also find this guide useful.

## SUBSTRATE PREPARATION

It is important to remember that glue fixed Mouldex® mouldings will reflect the dimensions, alignment and profile of the substrate to which it is being applied.

**Surface Preparation:** Ensure that the substrate is sound and free of contaminants such as oil, dust, sealants and water. Remove any loose paint, or other protective coating and patch any holes or indentations.

**Expansion Joints:** Where expansion joints exist in the substrate, these need to be replicated in the Mouldex® mouldings. Ensure that a suitable sealant is used to fill the joint that is created.

## REQUIRED TOOLS AND MATERIALS

### Tools:

The following tools are recommended for ease of installation:

- Mitre saw with diamond blade
- Heat gun
- Tape measure, pencil etc.
- Small tool
- 10mm notched trowel
- 50mm paint brush
- Sponge
- Mixing bucket and mixer for adhesive
- Fixings (refer to installation step 5)

### Adhesive:

It is recommended to use a polymer modified adhesive (mixed in a 5:1 ratio of parts A to B), with the following components:

- **Part A** – Davco Powder Mastic (or similar)
- **Part B** – Mouldex® Liquid Bond

**Note:** MELGRAND recommends Davco Powder Mastic as it has excellent adhesion, workability and sands back to match the moulding coating.

### Sealant:

Use a paintable, flexible, polyurethane joint sealant for all expansion joints, internal corners and as noted in step 7.

## STEP 1: Planning/Estimation

- Allow for mitres around windows and building corners.
- Allow 5% wastage for joining lengths on straight runs.

Avoid un-necessary joins (whilst joins can be finished so that they won't be seen, it is not worth the extra labour to save short lengths).

## STEP 2: Marking-out

Chalk line the whole job. This will highlight any layout issues you may have before it is too late.

## STEP 3: Measuring and Cutting

There are two different measuring requirements for different moulding installations.

**Around windows:** This requires measuring tolerances to be accurate to within  $\pm 0.5\text{mm}$

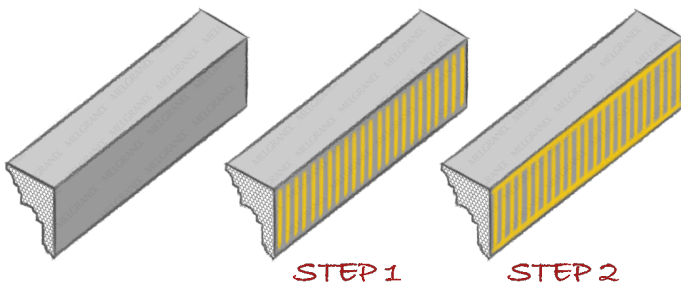
**Building walls:** Need to add 1.5mm for external corners and minus 1.5mm for internal corners. Always check the cut moulding against the wall before applying adhesive.

# MOULDEX® MOULDS INSTALLATION GUIDE

**Note:** Expansion (or control) joints in the building superstructure need to be carried through the moulding and then filled with sealant.

## STEP 4: Applying Adhesive Back of Moulding

1. Using a 10mm notched trowel, apply the adhesive across the moulding.
2. Using the flat edge of the notched trowel, apply a line of adhesive to both sides of the moulding. The line of adhesive should be approximately 15mm\*15mm. When applied to the wall, there should be a small consistent amount of adhesive oozing out.



## Mitres and Straight Joints Smaller Profiles (i.e. Architraves)

1. Remove approximately 2-5mm of foam from the ends of the mouldings. Ideally this is done with a heat gun, but it can be scraped out with a small tool or similar.
2. Fill both moulding ends with adhesive, to the point that it is overflowing a little.
3. Squeeze mouldings together and clean off excess adhesive.

**Note:** This method gives the mitre an integrated bond between both lengths that will protect it against cracking. Simply gluing the lengths together and patching over the top will not offer the same longevity.

## Larger Profiles (i.e. Parapets)

- For External mitres follow instructions as outlined above for “smaller profiles” Step 1 to 3.

- For Internal mitres and straight joints there is an additional 4th step required.

4. With sponge or brush remove approx 5-8mm of adhesive in joint on all elevations of profile. After the adhesive has set, caulk the joint with a paintable, flexible and UV-stable polymer sealant. Masking tape on either side of the joint can be used to achieve a neat finish when caulking.

**Note:** All Expansion and control joints on the building to be followed and added on all profiles - paintable, flexible and UV-stable polymer sealant to be used. Profiles not to be installed onto metal flashing or metal capping due to thermal movement and thermal radiation.

## STEP 5: Installing

Once the adhesive has been applied to the moulding it is ready to be installed.

Aim to place the moulding against the wall in one hit, enabling the ‘suction’ from the adhesive to hold the moulding in place.

## Method 1: No fixings

This method is appropriate for people with some experience, or when installing a smaller moulding (such as a 100x20 flat band) on a wall that is porous enough to allow the adhesive to set quickly. No fixing obviously means no patching.

## Method 2: Temporary fixings underneath moulding

There are many different types of substrates that mouldings can be installed on. The supplier of the substrate will be able to guide in regards to the appropriate fixing. By using a small fixing underneath the moulding, the subsequent hole can be hidden by the adhesive oozing out underneath. Unless mouldings are particularly thick, sliding is the only issue, not ‘tipping’ off the wall. Therefore, this method will cover most mouldings that are less than 100mm thick and of any height.

# MOULDEX® MOULDS INSTALLATION GUIDE

## Method 3: Fixing through the moulding

There is always a solution for any size moulding and any substrate. These solutions vary from:

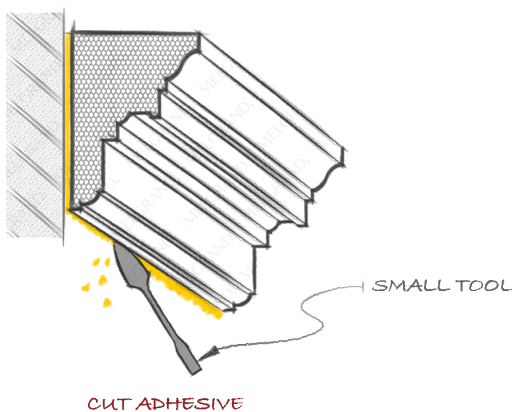
- Running timber behind the moulding, in a groove cut in the back; then fix with a screw from the top.
- Inserting pins or rods through the front of the moulding, into the substrate; then patching.

For mouldings that require this fixing method we recommend installation by an experienced tradesman.

**Note:** Moulding profiles within wet areas e.g. at the top of parapet walls require metal flashing as per the NCC Building Code of Australia.

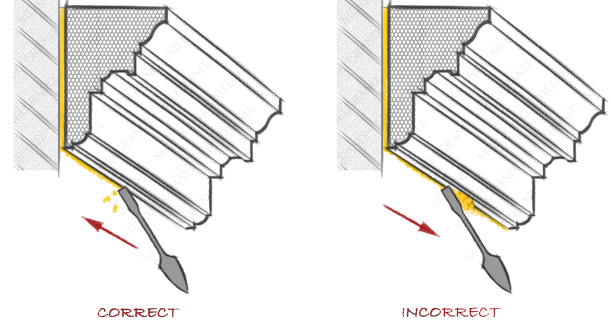
## STEP 6: Cleaning off Adhesive

For cleaning off excess adhesive we recommend using a small tool, a 50mm paint brush (or sponge) and water. Use the small tool to 'cut' the excessive adhesive, allowing it to fall off the wall.

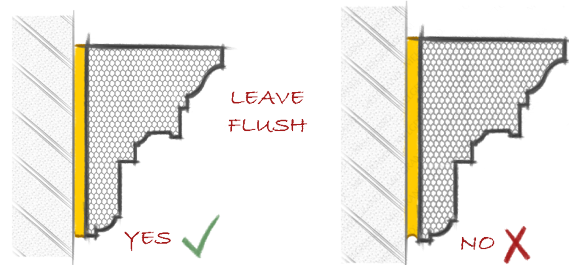


Then using the flat end of the small tool, scrape 'forwards', cleaning off any remaining adhesive (refer to the following diagram for scraping 'forwards'). This is important

because scraping in the wrong direction presses the adhesive into the wall. The correct method will leave the remaining adhesive 'lifted', allowing for easier cleaning.



Using water and the 50mm brush (or sponge) clean away all remaining adhesive. Do not leave a groove between the moulding and the wall, as this will show up when painted. A flush corner with no surface adhesive is the ideal result, for the best finish.



## STEP 7: Finishing

All joins need to be flushed or finished with sealant, to complete the Mouldex® moulding installation.

**Note:** To ensure longevity of the product, it is essential to paint the finished Mouldex® installation within 7 days of installation. A sealer coat, plus 2 to 3 coats of membrane e.g. Acrashield, Weathershield or equivalent should be applied to all exposed surfaces. Dark colors are not recommended and warranted.

For more advice, please contact MELGRAND with the specifics of any job.

## WARRANTY

MELGRAND does warrant MouldeX® mouldings are free from defects caused by faulty manufacture or materials. If any of the MELGRAND profiles are so defective, MELGRAND will as an option either replace them or reimburse the purchaser for the purchase price.

The fixing methods recommended in this literature are formulated along the lines of good building practice and are intended to assist experienced tradesman in construction procedures. However, this literature is not intended to be an exhaustive statement of all relevant data as the successful installation of the MELGRAND system depends on numerous factors outside the control of MELGRAND eg. quality of workmanship, particular design requirement etc. The company accepts no responsibility for or in connection with the quality of moulding installation or their suitability for any purpose when installed. This warranty excludes all other warranties and liability for damage or loss in connection with defects in MELGRAND products, other than those compulsorily imposed by legislation, notable the Trade Practices Act.



# MELGRAND.

FINE ARCHITECTURAL PRODUCTS

[Melgrand.com.au](http://Melgrand.com.au)



#### ADDRESS

VIC 6-8 Anderson Road, Thornbury 3071  
NSW 6/376 Newbridge Rd, Moorebank 2170

#### CONTACT

1300 663 118  
Fax 1300 676 233  
[sales@melgrand.com.au](mailto:sales@melgrand.com.au)